

# Cadenza 8

## 2000W Halogen Narrow Angle Profile Spot

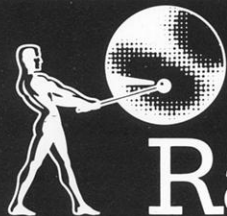
The 8° narrow angle Profile Spot with the optical performance necessary to combat really long throw distances from 20 metres upwards. This is the 2000 watt luminaire long-missing from the Rank Strand repertoire and has been achieved without excessive, ugly bulk or long length difficult to accommodate (it is shorter than previous, wider angle units).

All Cadenza Profile Spots include a built-in, but easily accessible, 18-leaf iris diaphragm and horizontal gate runners in addition to four beam shaping shutters. The lens is moved by internal rack and pinion with the operating control conveniently near the gate plane.

The Cadenza series are all purpose-designed 2000W luminaires, not adaptations of lower power units, and set completely new standards of construction, user-convenience and safety. Power connection is interlocked with the side-hinged bottom access to the drop-down, but captive, lampholder which allows lamp replacement without upsetting the beam distribution.

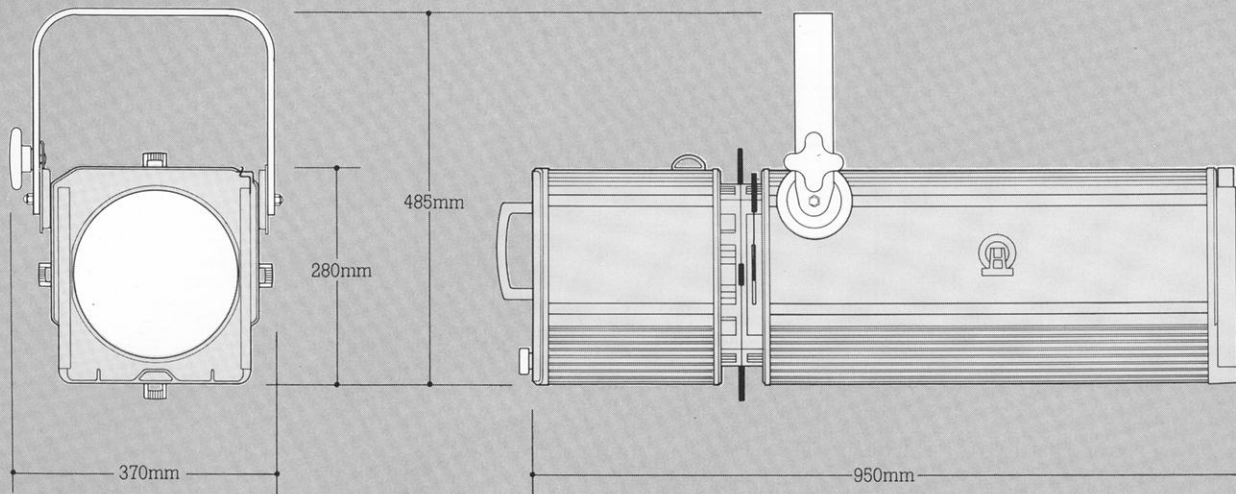
### Item Numbers

Cadenza 8 Profile Spot including RSE/79 2000W lamp and 1.5m power cable (state 240 or 220v, and 15A, Schuko, or wire-ended cable)	22 442 02
Additional RSE/79 2000W 240v lamp	34 232 06
Additional RSE/79 2000W 220v lamp	34 232 14
Additional Thorn EMI Class CP/43 2000W 240v lamp	34 224 0T
Additional Thorn EMI Class CP/43 2000W 220v lamp	34 224 18
Additional 1.5m power cable, 15A 3-pin plug top	34 002 01
Additional 1.5m power cable, moulded-on Schuko	34 001 06
Additional 1.5m power cable, wire-ended	34 000 00



# Rank Strand

22 422 02



### Dimensions

Scale 1:10

### Weight

22.6 kg

### Carton Size

112 × 47 × 46 cm. 0.24m<sup>3</sup>

Packed weight 30 kg including lamp and power cable.

### Environment

45°C max ambient, interior use.

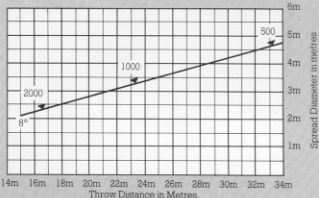
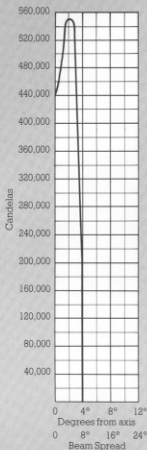
### Tilt

45° above horizontal to 75° below.

**Performance**

Typical performance, based upon 2000W 240v  
RSE/79 calibrated lamp, C13D biplane filament,  
400 hour, 3200°K, 52,000 lm  
Maximum circle, hard-edge focus  
With integral 25mm mesh lens guard  
Cut-off angle 8°  
½ peak angle 7.5°  
550,000 peak candela at 2° offset

2000W 240v  
RSE/79 LAMP  
With lens guard



The figures on the diagonal line indicate the illumination value in lux at 2° offset



# Rank Strand Cadenza 8

**Specification****Housing**

Extruded, finned, aluminium sides with gravity die cast aluminium ends and shutter bulkheads joined by machine thread screws to combine extreme robustness and rigidity with minimum weight and maximum heat dissipation. For additional heat dissipation lamp house provided with light baffled ventilation slots. Anchorage provided for safety bond and heat insulated grab handle fitted at rear.

**Fork**

Aluminium alloy with 90mm dia. friction discs and heat insulated handwheel for tilt lock, changeable to opposite side. Tilt pivot axis adjustable laterally along top or bottom slot in extruded sides. Fork provided with DIN Flange fixing holes, centre threaded and supplied with M.12 bolt, washer and wingnut for compact suspension and swivel lock. Fitted with clip for power cable retention.

**Lampholder**

GY16 unequal-pin porcelain body with integral heat sink fitted to thumb fastener retained sliding access plate incorporating side to side adjustment for lamp alignment and wired direct to CEE 22 high temperature power connector.

**Power Cable**

1.5m long, 3 x 1.5mm<sup>2</sup> conductor toughened silicon rubber cable moulded to mating CEE 22 angled power socket. Other end of cable moulded to I5A 3-pin or Schuko plugtop, or open wire-ends (specify).

**Internal Access**

Thumb fastener secured, side hinged lampray provides access to slide down lampholder assembly for convenient lamp replacement. Lampray is interlocked with power connector to provide maximum safety.

**Reflector**

180mm dia. ellipsoidal reflector of anodised aluminium.

**Gate Assembly**

Four removable beam shaping shutters of heat resistant steel alloy with non-reflective finish and ergonomically designed heat insulated handles, removable 18-leaf iris and horizontal runners for pattern (gobo) holder all held in multi-finned aluminium die castings for precision and heat dissipation. Pattern (gobo) runners provided with safety retention catch.

**Lenses**

230mm dia. plano-convex lens of toughened white plate glass. Lens supported on full circumference by carrier which slides smoothly on a bearing rod and support rod. Carrier driven by internal rack and pinion gearing through external rotary control which provides lens position indication and cam-lock of the movement through hinging toggle action of operating handle. Easy access to both lens surfaces for cleaning through sliding, but captive, top panels. A 25mm mesh wire lens guard is fitted to front casting for safety.

**Distinction Adjustment**

Movement of lampholder relative to reflector for "peaky" to "flat" field by rear mounted rotary knob driving fine pitch lead-screw.

**Colour Runners**

Aluminium extrusions, with spring safety clip, providing double runners. One 245mm square DIN size colour frame with circular aperture for thin-film 'Chromoid' colour filters.

**Finish**

High temperature stoved, black epoxy powder coated.

**Lamps**

2000W GY16 base 70mm i.c.l. with 40mm max. dia quartz envelope. Supplied with 2000W RSE/79 240v or 220v lamp. Similar, but not identical 2000W Thorn EMI Class CF/43 lamps are also suitable.

**Accessories**

Pattern (gobo) Holder	23 864 07
Additional 245mm <sup>2</sup> Colour Frame	27 264 05
Semaphore Colour Change, 24v	23 881 05
TV Spigot, M.12 Stem	26 860 04
Cranked Fork	26 858 00

Rank Strand Limited  
P.O. Box 51, Great West Road,  
Brentford, Middlesex TW8 9HR,  
United Kingdom  
Telephone 01-568 9222. Telex 27976